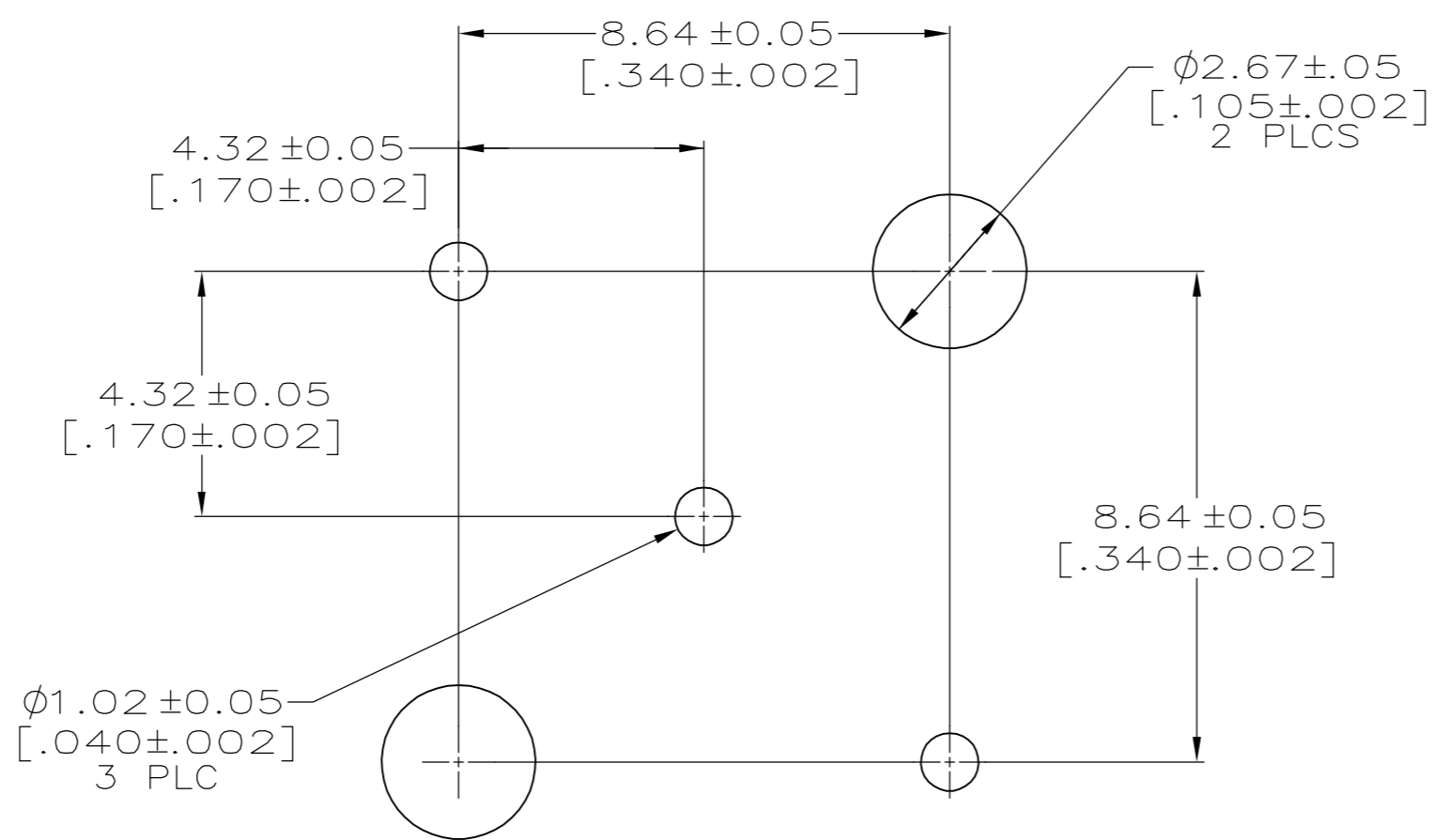
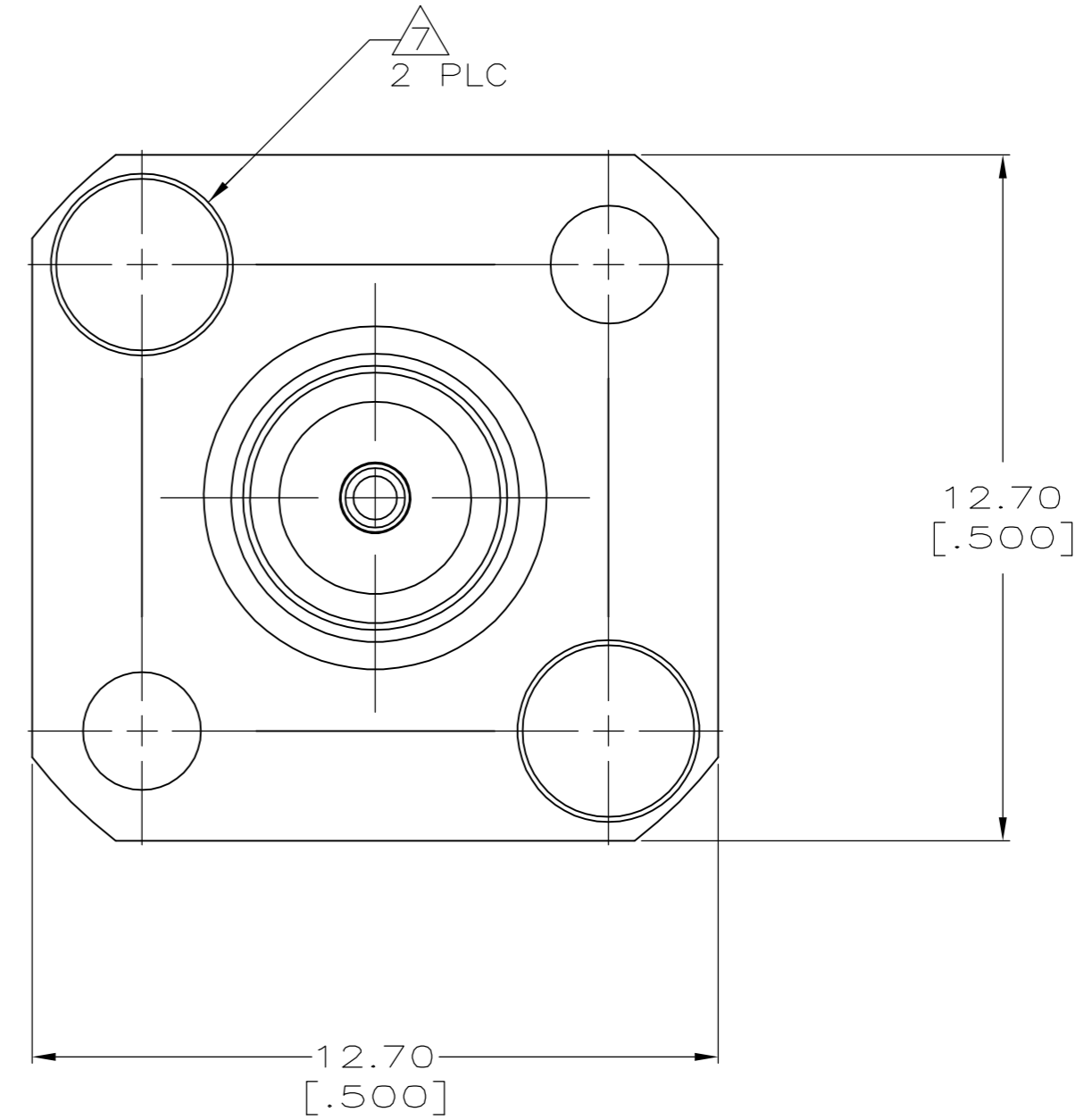
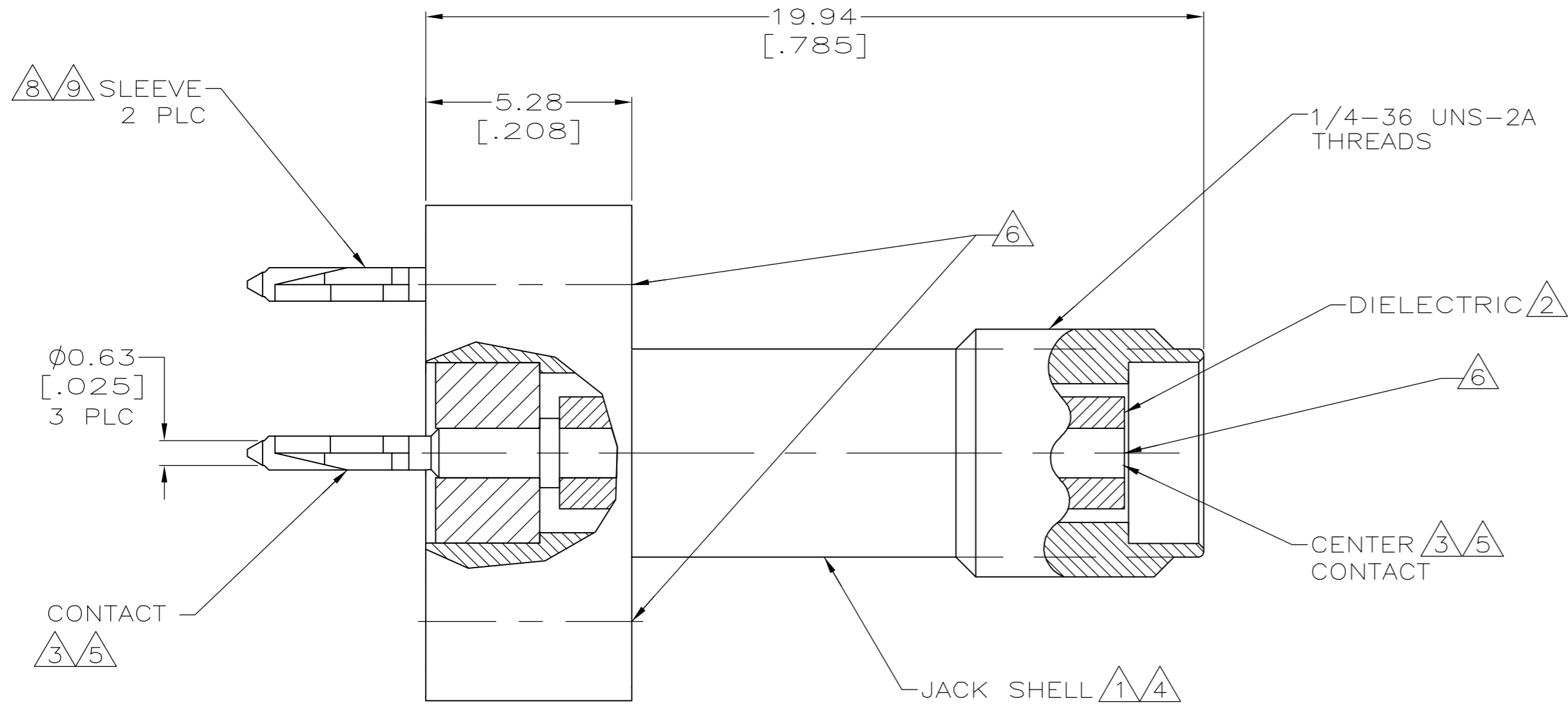


THIS DRAWING IS UNPUBLISHED. RELEASED FOR PUBLICATION
 © COPYRIGHT BY TYCO ELECTRONICS CORPORATION. ALL RIGHTS RESERVED.

Loc		DIST		REVISIONS			
P	LTR	DESCRIPTION		DATE	DWN	APVD	
	0	REV PER EC 0S14-0496-04		02FEB2005	LV	KW	

- ① BRASS PER ASTM-B-16.
- ② TEFLON PER ASTM-D-1710.
- ③ BERYLLIUM COPPER PER ASTM-B-196.
- ④ NICKEL PLATE PER QQ-N-290.
- ⑤ GOLD PLATE PER ASTM-B-488.
- ⑥ APPLY FORCE IN THESE AREAS TO ASSEMBLE CONNECTOR INTO PC BOARD.
- ⑦ 2-56 UNC-2B.
- ⑧ PHOS BRONZE PER ASTM-B-139.
- ⑨ TIN PLATE PER ASTM-B-545.



RECOMMENDED PCB CONFIGURATION

6274096-1
 PART NUMBER

THIS DRAWING IS A CONTROLLED DOCUMENT.		DWN L VARELA - DOCK5 02FEB2005	Tyco Electronics Corporation Harrisburg, Pa 17105-3608	
DIMENSIONS: mm [INCHES]		CHK J. HAVENER 02FEB2005		
TOLERANCES UNLESS OTHERWISE SPECIFIED:		APVD D. CAMELIO 02FEB2005	NAME JACK, ACTION PIN, PCB, SMA	
0 PLC ± - 1 PLC ± - 2 PLC ± 0.13 [.005] 3 PLC ± - 4 PLC ± - ANGLES ± -		PRODUCT SPEC -	RESTRICTED TO -	
MATERIAL ①②③		FINISH ④⑤	WEIGHT -	SCALE 1:1
CUSTOMER DRAWING		SIZE A2	CAGE CODE 00779	DRAWING NO C=6274096
		SHEET 1 OF 1		REV 0